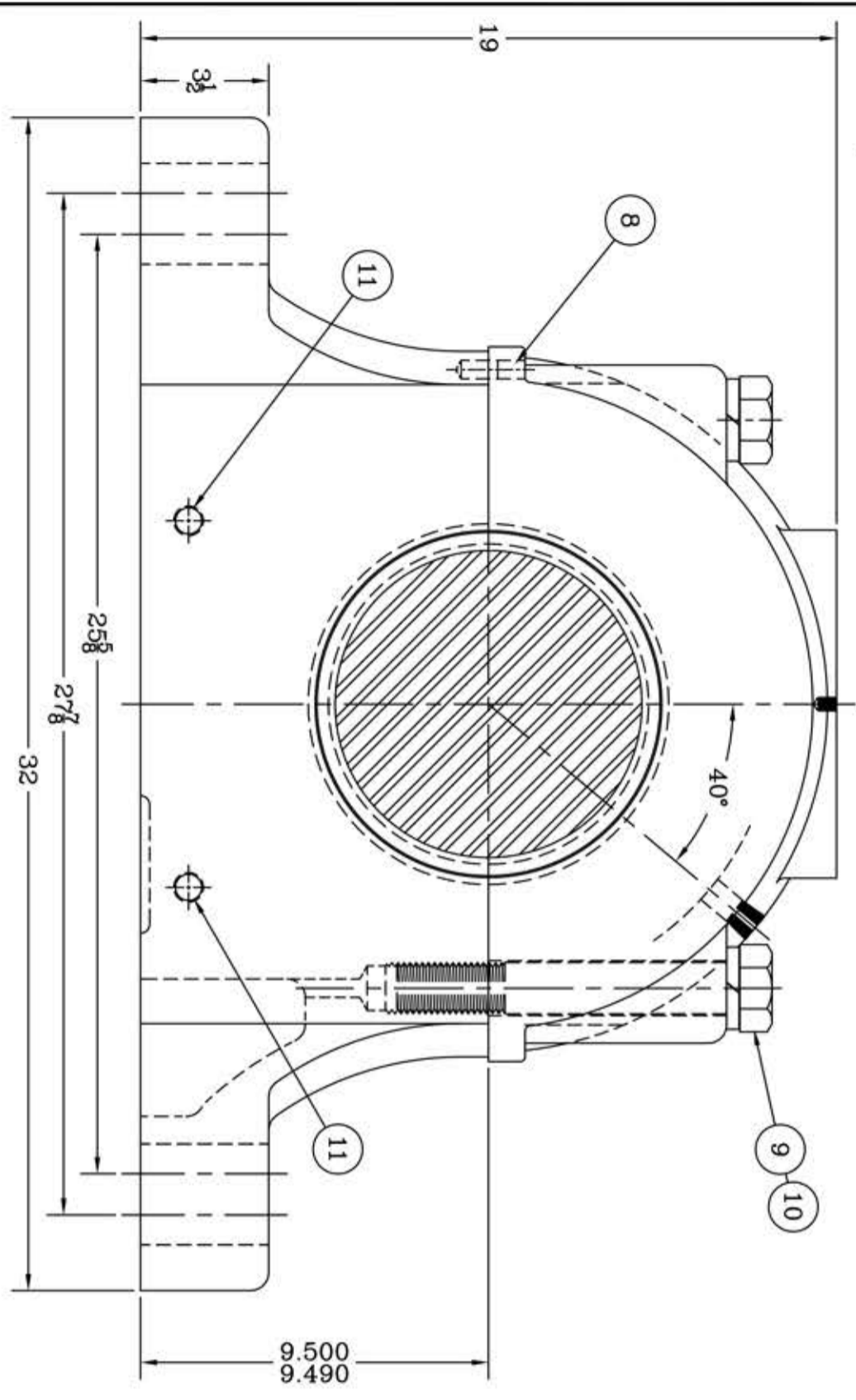
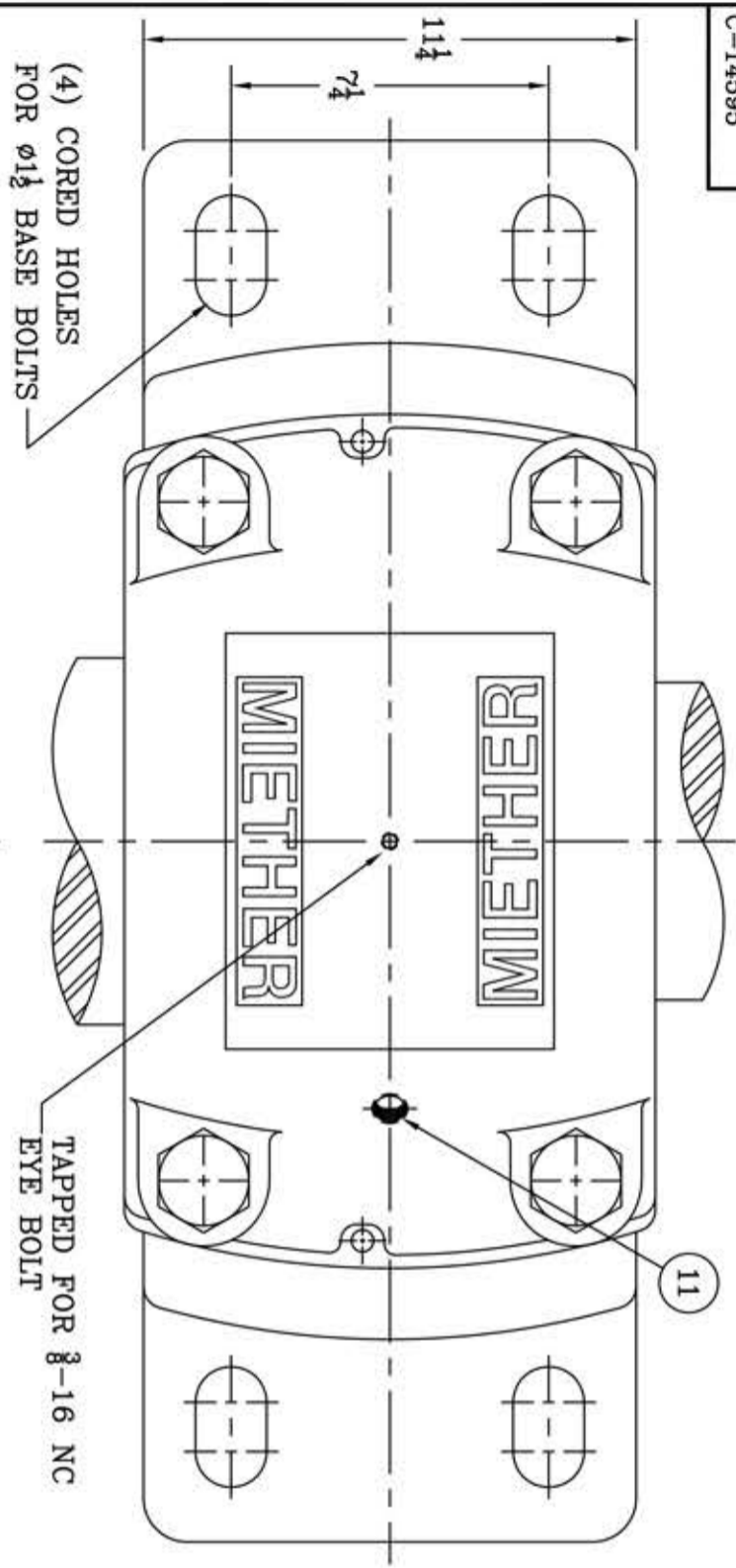
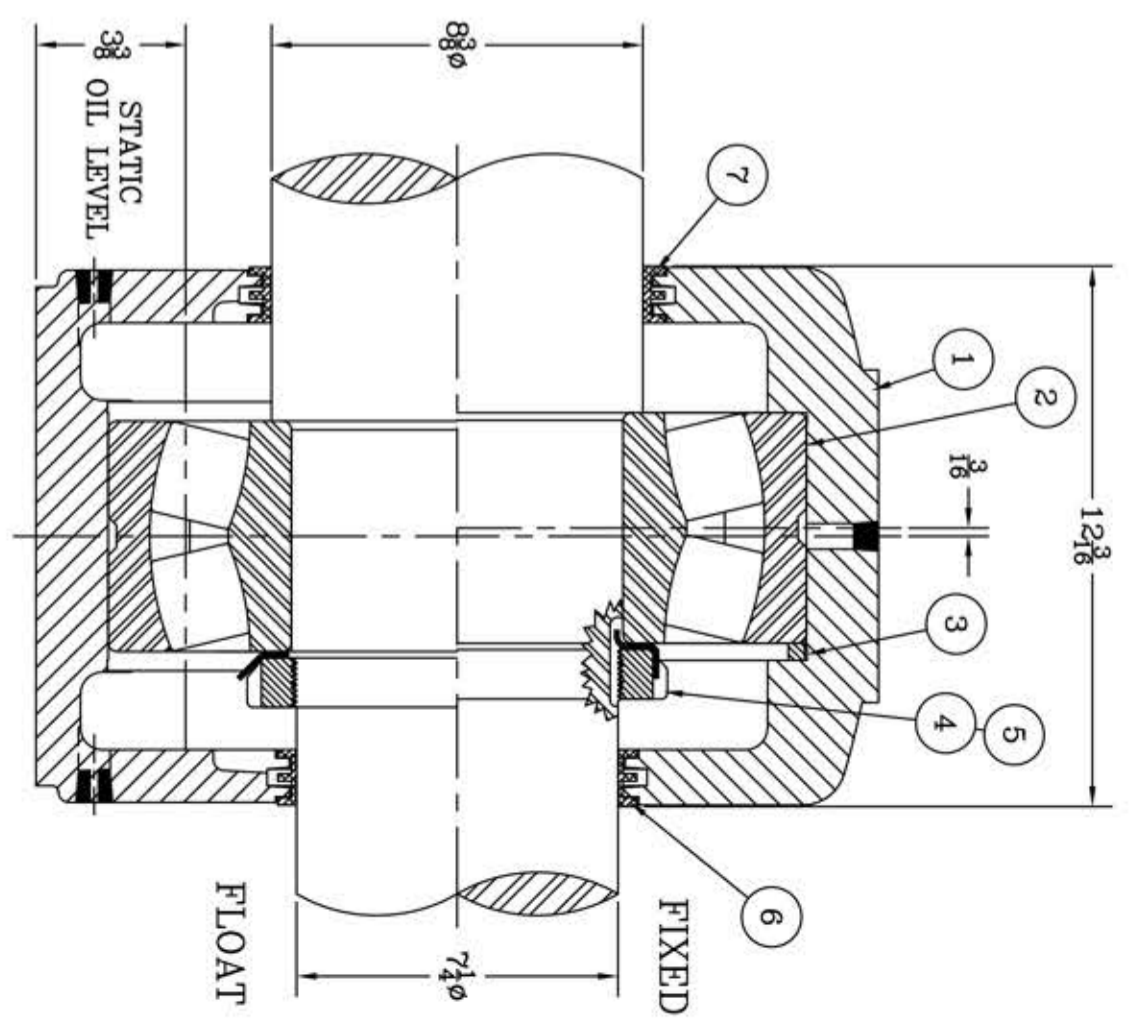


This drawing is the sole property of Miether Bearing Products and contains confidential and proprietary information. It is being provided to you for your use and may not be disclosed to any third party or used for any other purpose without Miether's prior written consent. The [materials] must be returned to the Company upon its demand. Your acceptance of these materials constitutes your acceptance of the foregoing terms.

C-14595



ITEM	DESCRIPTION	DETAIL	REQUIRED
1	HOUSING SDAF-338	C-15229	1 1
2	SPHERICAL ROLLER BEARING	22338/W 33	1 1
3	STABILIZING RING SR-44-38	A-10612	1 0
4	LOCKNUT AN-38	B-10423	1 1
5	LOCKWASHER W-38	~~~~~	1 1
6	TRIPLE SEAL RING LER-229	A-11681	1 1
7	TRIPLE SEAL RING LER-240	A-12093	1 1
8	DOWEL	$\phi 2$ x 1 LONG	2 2
9	CAP BOLT HEX. HEAD	$1\frac{1}{8}$ -6 NC x 9 LONG	4 4
10	LOCKWASHER	$1\frac{1}{8}$ SPLIT MED.	4 4
11	PIPE PLUG	$\frac{3}{8}$ -18 NPT	5 5



REDRAWN ON COMPUTER
AR per KAB
3-11-04

REVISIONS

SYMBOL	DESCRIPTION
C	REVISION 16
D	REVISION 32
E	REVISION 63
F	REVISION 125
G	REVISION 250
J	REVISION 500
K	REVISION 1000

AN ALCO INDUSTRIES COMPANY
BEARING PRODUCTS
ODESSA, TX USA

SDAF 22338	08-06 x 07-04
ASSEMBLY DRAWING	
SCALE 1 = 3	ASSEMBLY NO.
DRAWN JC	
DATE 5/12/72	DRAWING NO.
CHK:	C-14595

TOLERANCE: UNLESS OTHERWISE SPECIFIED
FRACTIONS $\pm 1/32$ " ANGLES $\pm 0^\circ 30'$
DECIMALS $\pm .005$ WELD $\pm 1/16$ "
CASTING $\pm 1/16$ "